

TUBEFEEDER TF200

TUBE FEEDER FROM BULK

ADMV has just released a new program of blade feeding systems combining a chain elevator and a gravity mechanical selective oval track.

To meet new market requirements, **ADMV** supports customers in their product development by providing:

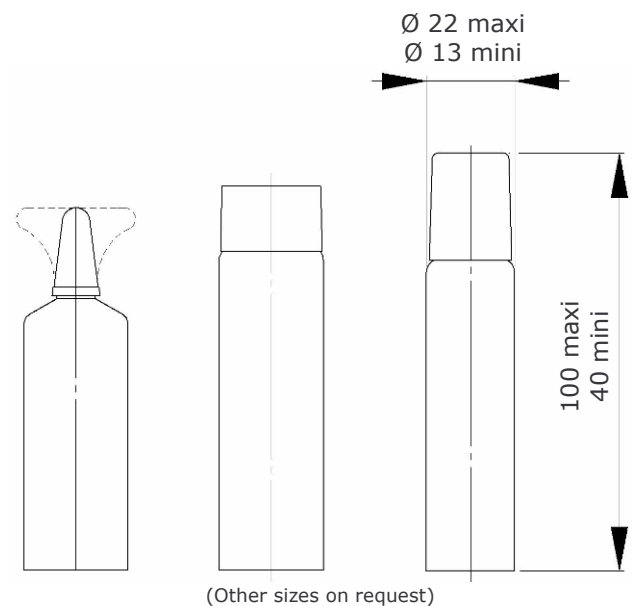
- More flexibility
- Higher rates
- Better ergonomics
- User friendly
- Costs optimization
- Compact equipments
- Reduced change-over times

The internationally patented selective oval track feeds tubes from 13mm up to 22mm in diameter and from 40mm up to 100mm in length (different shapes for caps, fitting)



Main Assets:

- Multi-format feeder
- Out-feed rate: 150 to 200 parts per minute according to tube shape
- Gentle handling of fragile products
- Colour coded change parts for an easy and quick change-over
- Control system with touch screen in grey tones (colour touch screen is available as an option)
- Data storage capacity for 20 formats
- Band hopper with a volume of 120 dm³
- Door in hopper for quick dump of tubes



These data may be changed without any notice by ADMV. 09-2006-B

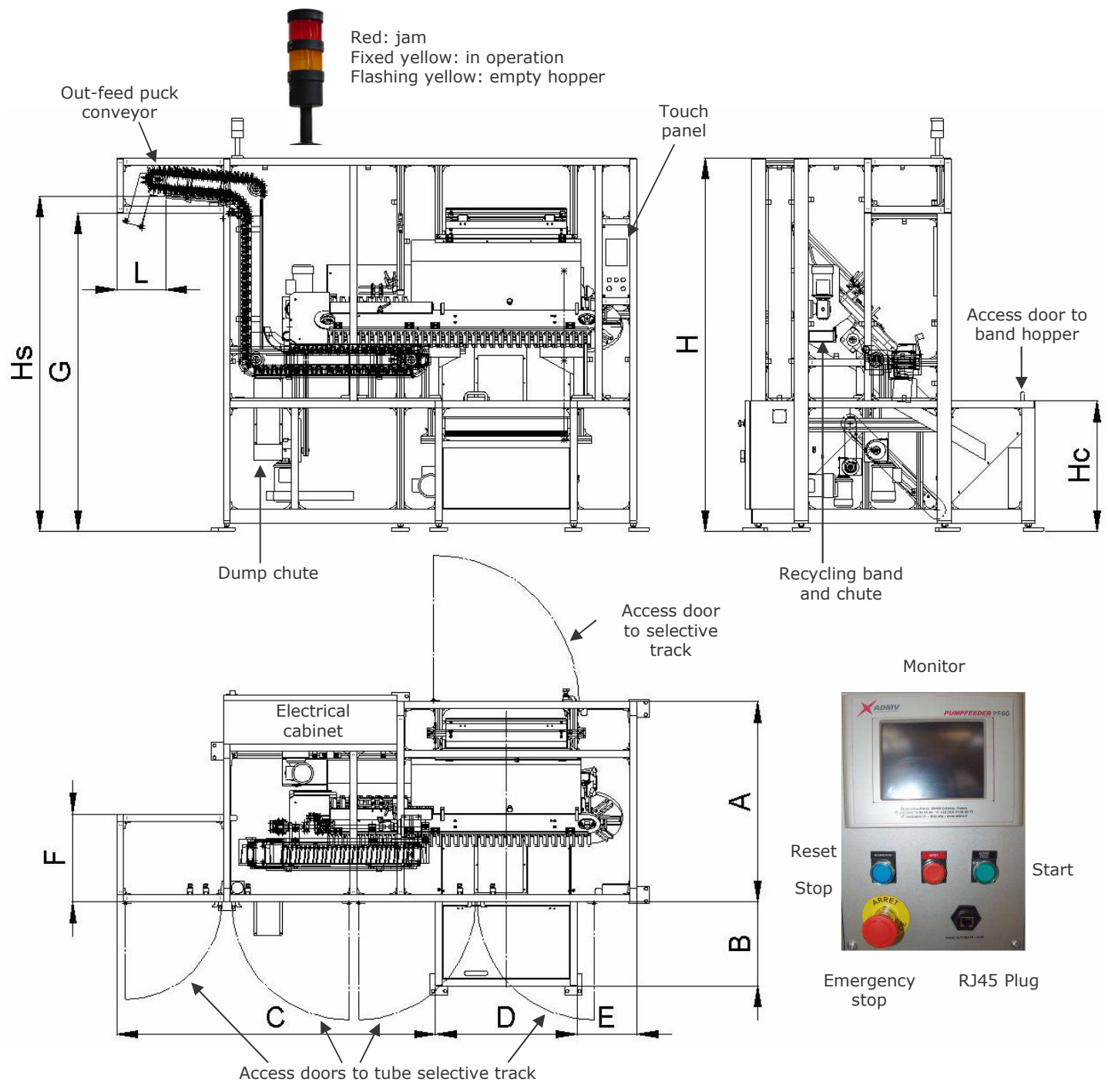
The preferred provider of automated solutions for the Health & Beauty industries



ADMV – Z.A. les Triboullières – 38460 Crémieu – France – Tel +33 474 904 366 – Fax +33 474 904 677
E-mail: commercial@admvm.fr - Web : www.admv.fr – www.siriusmachinery.com



SIRIUS INC. – 230 Industrial Parkway, Branchburg, NJ 08876 – USA
Tel +1 908 707 8008 – Fax +1 908 707 0073 - E-mail: info.us@siriusmachinery.com



Out-feed rates	A	B	C	D	E	F	G	H	L	Hc	Hs
TUBEFEEDER TF200	1145	480	1825	810	345	500	1905	2220	281	830	2002

Power Supply :

230 VAC ± 15% – 50 Hz – 10 A (other voltage on request)
Power: 2000 W
Compressed Air 6 bars – 10 mm diameter hose

Weight and colour :

~ 1000 Kg
Frame: Aluminium profile
Panels / Cabinet : Aluminium RAL 9006 (other colours on request)

These data may be changed without any notice by ADMV. 09-2006-B