

BOTTLEFEEDER FF60 / FF120

FEEDING SYSTEM FOR MASCARA BOTTLES FROM BULK WITH PUCK LOADING

ADMV has just released a new program of feeding systems combining a blade feeder, a non-stop handling system, and a dropping system to load bottles into pucks.

To meet new market requirements, **ADMV** supports customers in their product development by providing:

- More flexibility
- Higher rates
- Better ergonomics
- User friendly
- Costs optimization
- Compact equipment
- Reduced change-over times

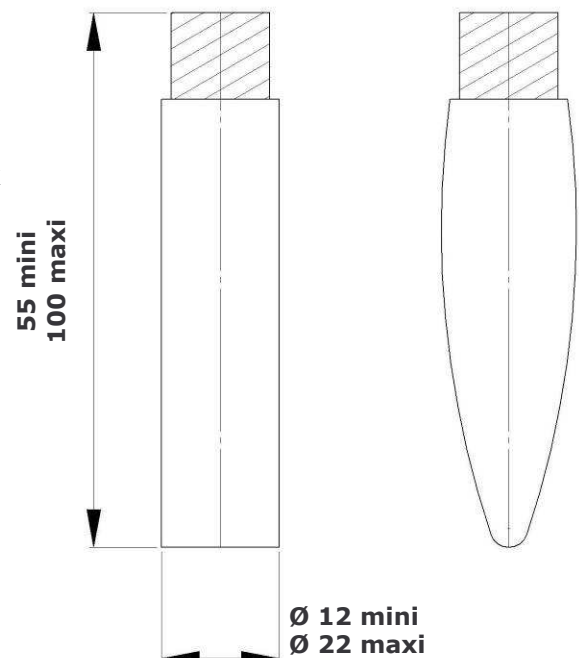
The selective system feeds mascara bottles from Ø12mm up to Ø22mm and from 55mm up to 100mm in length.



FF60

Main Assets:

- Multi-format feeder
- Out-feed rate: 60 to 120 parts per minute
- Gentle handling of fragile products
- Colour coded change parts for an easy and quick change-over
- Accessible storage cabinet for change-over parts
- Control system with touch screen in grey tones (colour touch screen is available as an option)
- Data storage capacity for 20 formats
- Left or right hand out-feed conveyor
- Hopper capacity: about 80 dm³
- Door in hopper for quick dump of bottles



Diverse configurations possible, particularly for 120 ppm out-feed rates

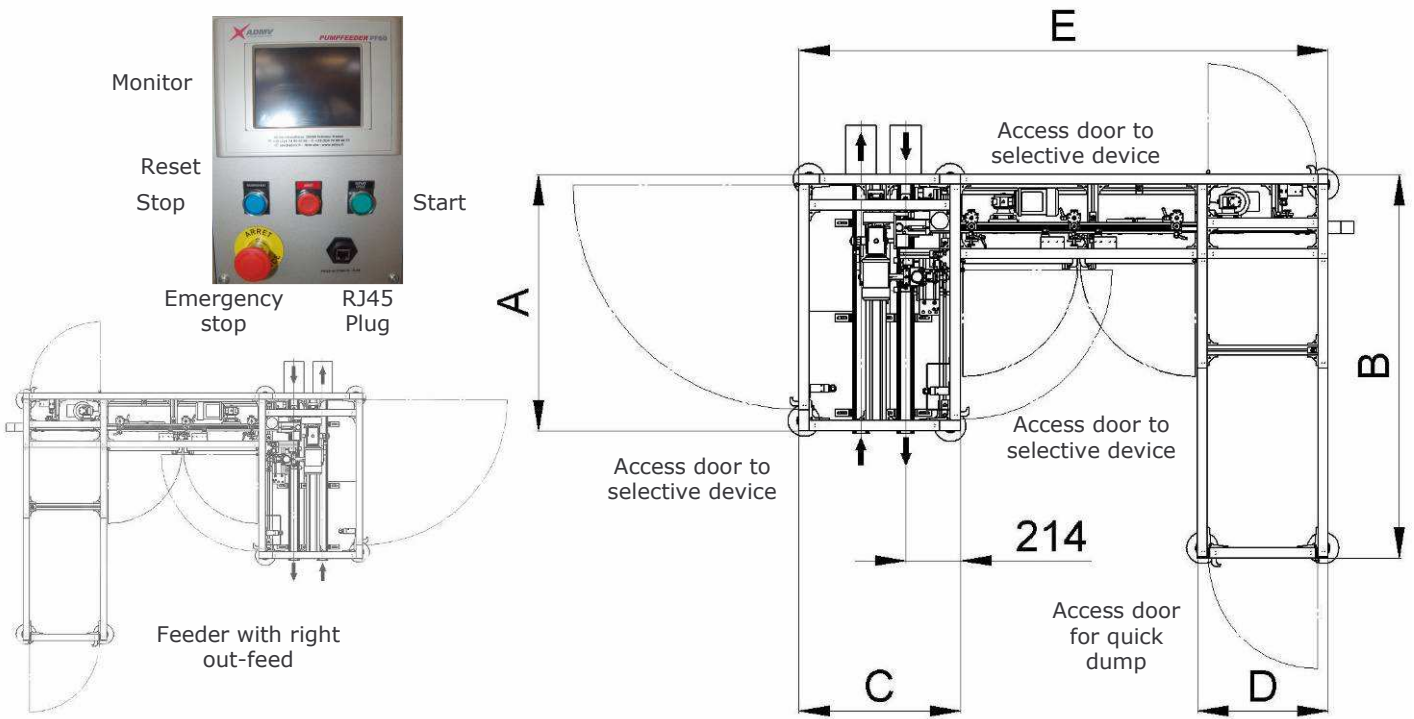
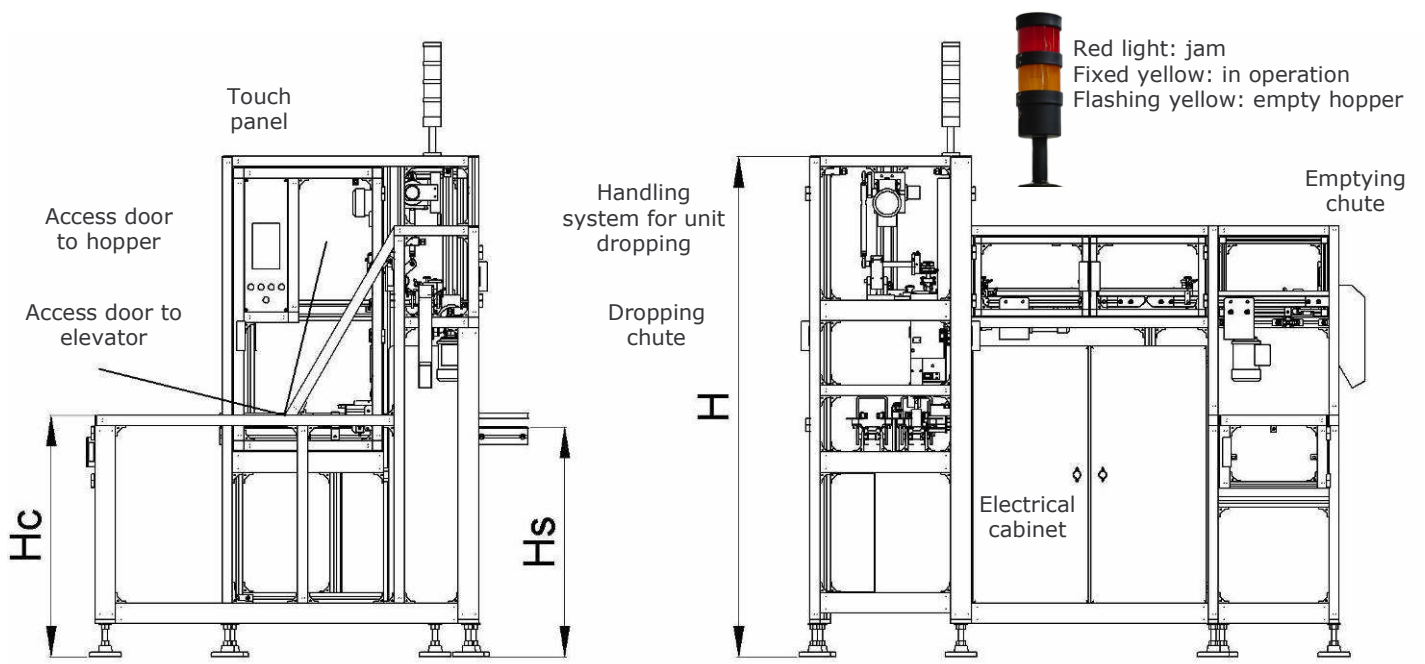
The preferred provider of automated solutions for the Health & Beauty industries



ADMV – Z.A. les Triboullières – 38460 Crémieu – France – Tel +33 474 904 366 – Fax +33 474 904 677
E-mail: commercial@adm.fr - Web : www.admv.fr – www.siriusmachinery.com



SIRIUS INC. – 230 Industrial Parkway, Branchburg, NJ 08876 – USA
Tel +1 908 707 8008 – Fax +1 908 707 0073 - E-mail: info.us@siriusmachinery.com



Out-feed rates	A	B	C	D	E	H	Hs	Hc
BOTTLEFEEDER FF60	1000	1496	630	510	2063	1950	895	941
BOTTLEFEEDER FF120	<i>Information on request</i>							

Power Supply :

230 VAC ± 15% - 50 Hz - 5 A (Other voltage on request)
 Power : 3000 W
 (Option: Compressed air 6 bar - Ø10mm diameter hose)

Weight and Colour :

~ 800 Kg
 Frame: Aluminium profile
 Panels / Cabinet : Aluminium RAL 9006 (Other colours on request)

These data may be changed without any notice by ADMV. 09-2006-B